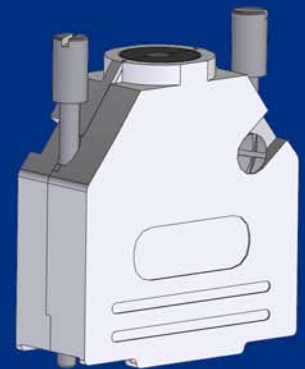
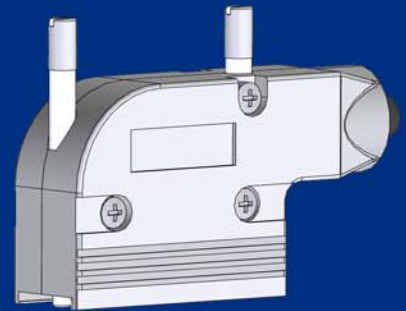




ARMOR

Ruggedized Backshell Systems

ARMOR D-Sub backshells are designed for rugged / robust applications including military, industrial, and aerospace. Featuring an all metal die cast housing, these backshells offer high reliability performance for the most challenging design applications.



FEATURES & BENEFITS

- Available in 5 industry standard sizes
(Standard: 9, 15, 25, 37, 50 | High Density: 15, 26, 44, 62, 78)
- Perimeter sealing lips for secure assembly
- Die Cast metal shells provide excellent EMI/RFI shielding
- Plated with high quality nickel finish
- Available in a variety of cable entries
- Compression or Mechanical strain reliefs
- Various mating hardware available

[http:// www.norcomp.net](http://www.norcomp.net)

NORCOMP



ARMOR

Ruggedized Backshell Systems

Description

Series

Finish

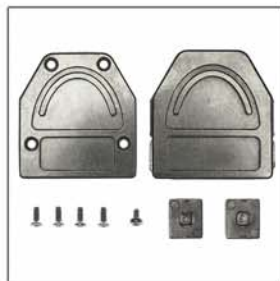
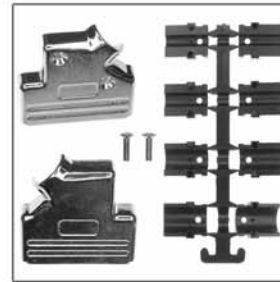
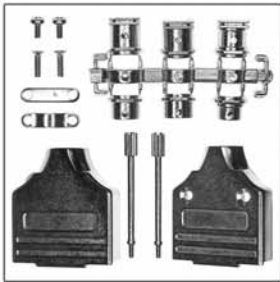
Size

180° Cable Entry	952-YYY-030R121	Nickel	9/15/25/37
35° Cable Entry	953-YYY-030R121	Nickel	9/15/25/37
45° Cable Entry (Ethernet)	954-YYY-030R121	Nickel	9/15/25/37
3-Way Cable Entry	955-YYY-030R121	Nickel	9/15/25/37
180° Cable Entry	970-YYY-030R121	Nickel	9/15/25/37/50
180° Cable Entry	970-YYY-040R011	Black Zinc	9/15/25/37
45° Cable Entry	971-YYY-030R121	Nickel	9/15/25/37/50
45° Cable Entry	971-YYY-040R011	Black Zinc	9/15/25/37
180° Cable Entry	979-YYY-030R121	Nickel	9/15/25/37/50
90° Cable Entry (Ethernet)	981-YYY-030R121	Nickel	9/15/25
180° Cable Entry (Thumbscrews)	981-YYY-130R121	Nickel	9/15/25
180° Cable Entry (Ethernet)	994-YYY-030R121	Nickel	9/15/25

ARMOR

*Zinc Die Cast Metal
Shells for Robust
Solutions*

*...and applications
requiring rugged,
reliable performance.*



For More Information

www.norcomp.net
800-849-4450

NORCOMP

